



ELECTRIC HOB UNIT

(For fitment to a Post 1974 4 Oven AGA or kitchen worktop)

Installation Instructions

LEAVE WITH CUSTOMER

PLEASE READ THESE INSTRUCTIONS BEFORE INSTALLING THIS APPLIANCE

CE For use in GB and IE

09/10 EINS 511674

CONTENTS



SECTION	PAGE
INTRODUCTION	3
GENERAL REQUIREMENTS	4
INSTALLATION INTO A WORKTOP	5
INSTALLATION INTO AN EXISTING AGA	6

INTRODUCTION

WARNING: THIS APPLIANCE MUST BE EARTHED.

The appliance is designed for the voltage stated on the rating plate, which is situated on the base cover of the hob.

RATING PLATE:

AGA		ELECTRIC HOB		
SERIAL No.	SEE BASE OF HOB			
VOLTAGE	50 Hz		240 V	230 V
TOTAL LOAD	kW	2.7	2.5	
	AGA Station Road, Ketley, Telford, Shropshire, TF1 5AQ			
AE4M240198 B				

The appliance is supplied:

a) To fit directly into the worktop.

OR

b) As a retro-fit kit for a four oven AGA. (To be installed by an AGA Fitter).

SUITABILITY

For use as a domestic electric hob which may be fitted into a kitchen worktop or into an existing AGA.

This appliance is not intended for use in a commercial catering environment.

UNDERSIDE CLEARANCES

Kitchen Worktop Fixing - Avoid situations where overfilled drawers may contact the appliance base. It is preferred that a dummy drawer front is fitted in this case.

Existing AGA, see step 6, Page 7.

THIS IS A TYPE X APPLIANCE.

GENERAL REQUIREMENTS

WARNING: THIS APPLIANCE MUST BE EARTHED.

Any adjacent walls that project above the height of the hob must be of heat resistant material.

The side and back wall above the hob shall be greater than 60mm from the cooker.

Surfaces over the top of the cooker must not be closer than 650mm.

THE ISOLATOR SHOULD **NOT** BE POSITIONED IMMEDIATELY ABOVE BOTH THE HOB OR THE MAIN COOKER, BUT **MUST** BE SITED WITHIN 2 METRES OF THE APPLIANCE.

The hob must be wired and installed by a Qualified Engineer in accordance with the Current National Wiring Regulations and also any local regulations which apply.

The appliance requires a 13 amp, 230 Volt - 50Hz supply.

The method of connection to the mains supply should facilitate complete electrical isolation of the appliance, by the use of a fused double pole switch having a contact separator of at least 3mm serving only the appliance. The point of connection should be accessible and adjacent to the appliance. The installation should be protected by a 30 mA Residual Current Circuit Breaker (RCCB).

IMPORTANT

The wires in the mains lead on this appliance are coloured in accordance with the following:-

Green/Yellow - Earth
Blue - Neutral
Brown - Live

COOKER CONTENTS CHECKLIST

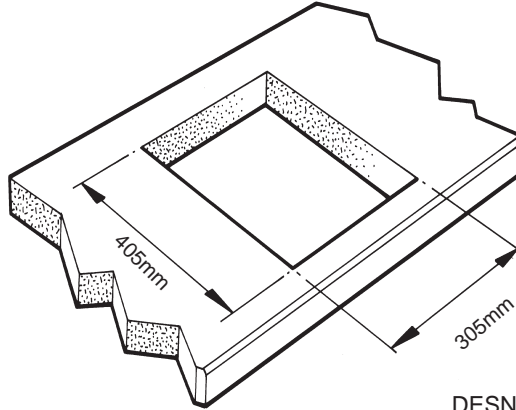
AGA PART No.	DESCRIPTION	QUANTITY
AE4M240198	Hob unit c/w knobs and 3m silicon cable	1
	Data Plaque	1
	Fixing Brackets	2
	Screw M4 x 50 Pan Hd Pozi Z/P	4
	Screw M4 x 25 Pan Hd Pozi Z/P	4
AG2M210711	Baffle Plate	1
KPAN52551	Screw No.8 x 3/8" Pan Hd Pozi Z/P S/T	2
JPAD210722	Insulation Pad	2
AG4M210766	Grommet - PV73M	2
	Seal	1
EINS511674	Installation Instructions	1
EOPI511675	Users Instructions	1
	Carton	1
AE4M240205	3 pin plug with 13 amp fuse	1

FITTING YOUR HOB INTO A WORKTOP

Check contents against checklist.

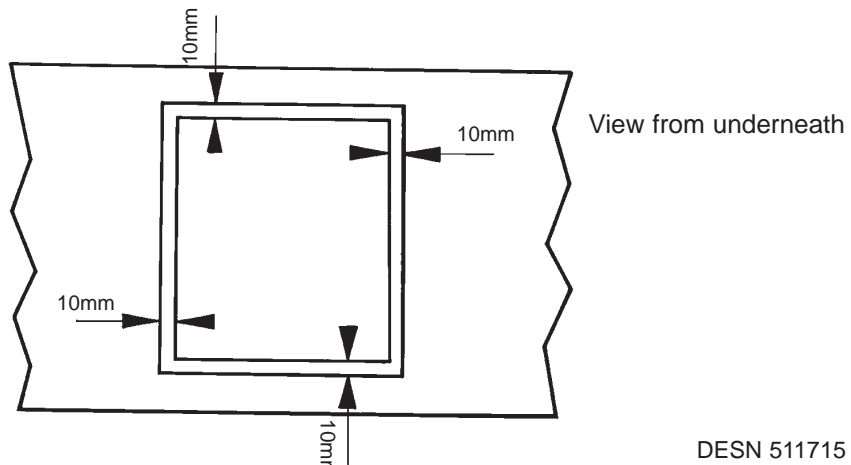
Follow instructions carefully. When using power tools always follow the manufacturers safety requirements.

STEP 1 Cut hole into the worktop.



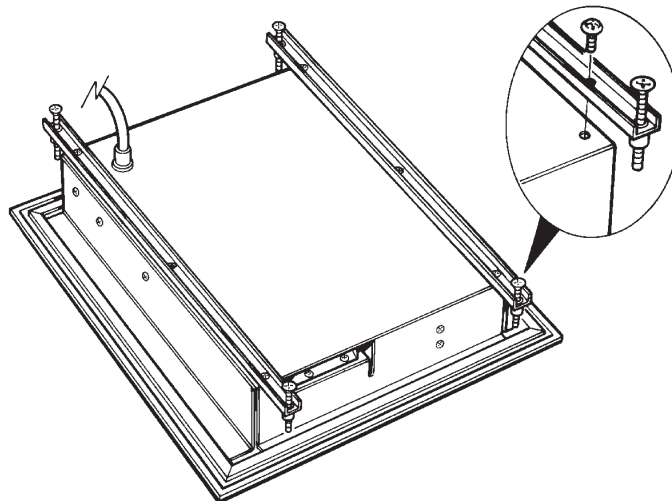
DESN 511716

STEP 2 Position hob centrally into aperture ensuring seal is in position.



DESN 511715

STEP 3 Using the three screws which run front to back at the sides of the hob unit fix the clamping brackets to the unit.



DESN 511714

STEP 4 Turn each tension screw until it makes contact with the worktop. Using a screwdriver further tighten a maximum of one and a half turns. This should be sufficient to compress the seal. Do not overtighten.

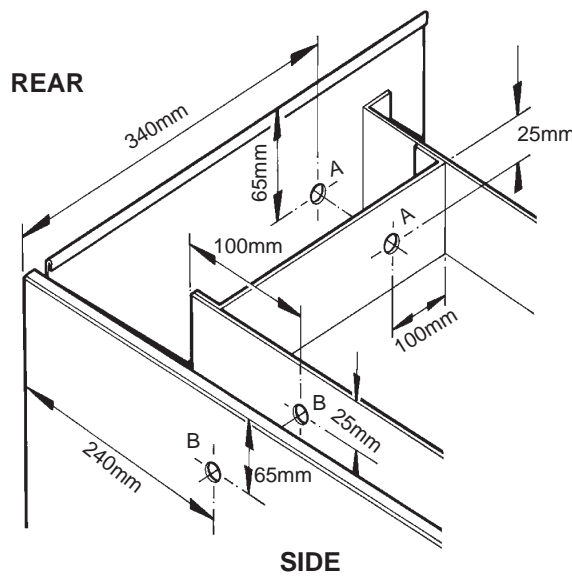
FITTING YOUR HOB INTO AN EXISTING AGA

Check contents against checklist.

Follow instructions carefully. When using power tools always follow the manufacturers safety requirements.

STEP 1 Remove the hotcupboard top plate.

STEP 2 Decide whether the mains is to enter from the back or side of the hotcupboard. Drill appropriate holes and fit grommets.



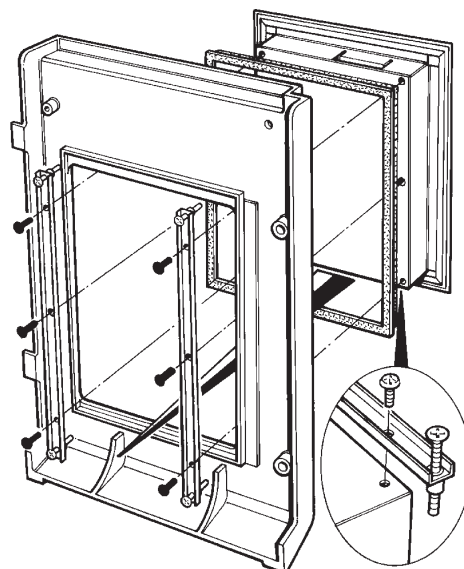
NOTE

1. REAR ENTRY - HOLES A
2. SIDE ENTRY - HOLES B
3. ALL HOLES 19mm DIAMETER
4. GROMMETS INSERTED INTO INNER & OUTER PANELS

CABLE ENTRY

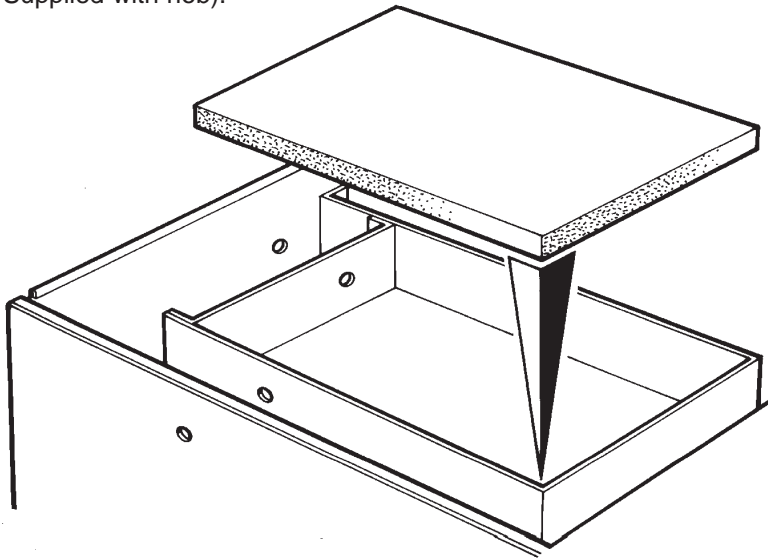
DESN 511717

STEP 3 Clamp hob unit into top plate using the two clamping brackets and ensuring seal is correctly positioned. Turn each tension screw until it makes contact with the top plate. Using a screwdriver further tighten a maximum of one and a half turns. This should be sufficient to compress the seal. Do not overtighten.



DESN 511718

STEP 4 Electric AGA - Fit one-off insulation blanket JPAD210722 on top of oven roof. (Supplied with hob).



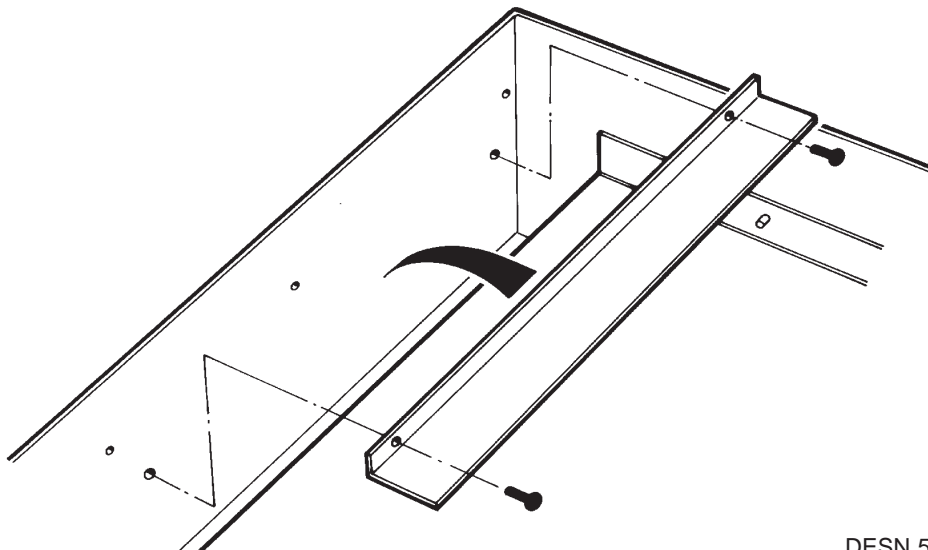
DESN 511734

STEP 5 Non-Electric AGA's Only

Place blanking plate AG2M210711 (supplied with hob) on top of the oven so that the return is to the left and facing upwards.

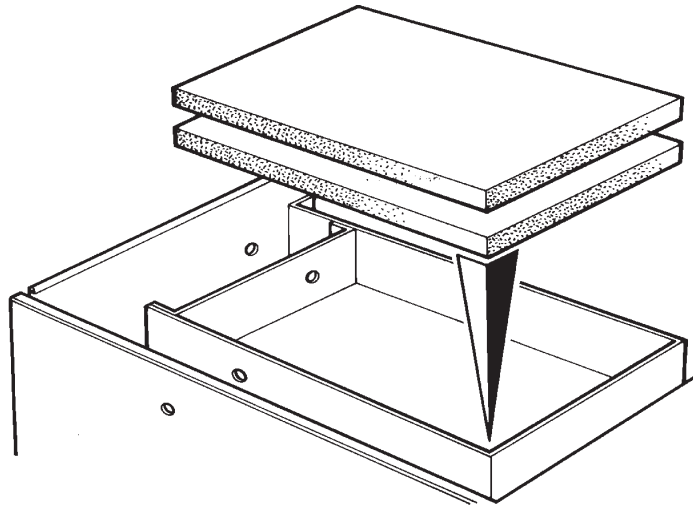
Push return edge up to hot cupboard body and drill through the two holes using a 3.2mm diameter drill.

Secure the plate with the No.8 self tapping screws provided.



DESN 511722

STEP 6 Non-Electric AGA's only - Fit 2 layers of insulation blanket JPAD210722 (supplied with hob) on top of the oven roof.



DESN 511733

STEP 7 Feed cable through the grommets.
Continue to feed cable as the hob is placed in position.
Secure top plate.
Connect the cable to a fused double pole switch or fit the 3 pin plug (supplied) which can then be fitted to an unswitched socket, as described in General Requirements.

Fuse Rating - 13 Amps
Cable Colour Coding
Brown - Live
Blue - Neutral
Green/Yellow - Earth

For further advice or information please contact
your local AGA Specialist

With AGA's policy of continuous product improvement, the Company reserves the right to change specifications and make modifications to the appliance described at any time.



Manufactured by
AGA
Station Road
Ketley Telford
Shropshire TF1 5AQ
England

www.aga-web.co.uk
www.agacookshop.co.uk
www.agalinks.com