



AGA ELECTRIC - AIMS EC3 COOKER

Installation Instructions

REMEMBER: when replacing a part on this appliance, use only spare parts that you can be assured conform to the safety and performance specification that we require. Do not use reconditioned or copy parts that have not been clearly authorised by Aga.

PLEASE READ THESE INSTRUCTIONS BEFORE INSTALLING THIS APPLIANCE

CE For use in GB and IE

03/08 EINS 515269

CONTENTS

SECTION	PAGE
CONSUMER PROTECTION	3
HEALTH & SAFETY	3
INSTALLATION	4
TECHNICAL DATA - AGA EC3	5
BAKING OVEN BAFFLE PLATE	6
ELECTRICAL	6
ELECTRICAL TEST PROCEDURE	6
WIRING DIAGRAM	7
TO TEST THE AIMS CONTROL HANDSET	7
MAINS CABLE & GUIDE TUBE ASSY	8
ELEMENTS AND ELECTRICAL HOUSING PARTS ASSY	9
OVEN VENT PIPE CONNECTION OPTIONS	9
OVEN THERMOCOUPLE	10
OVEN VENTING SYSTEMS	11 - 12
AIMS HANDSET	13
INSTRUCTIONS	14

HEALTH & SAFETY

Consumer Protection

As responsible manufacturers we take care to make sure that our products are designed and constructed to meet the required safety standards when properly installed and used.

PLEASE READ THE ACCOMPANYING WARRANTY.

Any alteration that is not approved by Aga could invalidate the approval of the appliance, operation of the warranty and could also affect your statutory rights.

In the interests of safety and effective use, please read the following before using your new Aga appliance.

Important

This appliance may contain some of the materials that are indicated. It is the Users/Installers responsibility to ensure that the necessary personal protective clothing is worn when handling, where applicable, the pertinent parts that contain any of the listed materials that could be interpreted as being injurious to health and safety, see below for information.

Fire Cement - when handling use disposable gloves.

Glues and Sealants - exercise caution - if these are still in liquid form use face mask and disposable gloves.

Glass Yarn, Mineral Wool, Insulation Pads - may be harmful if inhaled, may be irritating to skin, eyes, nose and throat. When handling avoid inhaling with skin or eyes. Use disposable gloves, face masks and eye protection. After handling wash hands and other exposed parts. When disposing of the product, reduce dust with water spray, ensure that parts are securely wrapped.

INSTALLATION

With specific exceptions, the installing of any type of Aga cooker is subject to the respective directions contained in current issue of the Building Regulations. In addition, planning permission may need to be obtained, which should be applied for separately.

The complete cooker is floor-mounted and the space in which the appliance is to be fitted must have the following minimum dimensions:-

A minimum clearance of 60mm is required above the raised insulating cover handle.

Side Clearances: A 3mm gap is required each side between the cooker top plate and adjoining work surfaces that may be fitted, this is to allow for the safe removal of the top plate should this be required at a later date.

Where cookers are fitted against side walls which protrude beyond the front of the Aga a 116mm clearance is required at both sides for oven doors access.

If the Aga is to be installed in a brick recess, then the minimum clearance should be increased by at least 10mm on either side, to allow for the walls not being square and also for the natural dimensional variations found in the castings.

In addition, a minimum clearance of 1000mm must be available at the front of the cooker to enable the cooker to be serviced.

NOTE: AGA COOKERS ARE DELIVERED EX-WORKS UN-ASSEMBLED. ASSEMBLY IS UNDERTAKEN BY THE AUTHORISED AGA DISTRIBUTOR/SPECIALIST.

Cooker Base of Hearth

It is essential that the base or hearth on which the cooker stands should be level and be capable of supporting the total weight of the cooker.

Model EC3 - 477 kg

The top of the hearth must be of non-combustible material thickness of 12mm.

The wall behind the cooker must be of non-combustible material for a minimum thickness of 25mm.

If the oven vent pipe passes through combustible material, there must be an airgap of at least 25mm around the pipe preferably wrapped with insulation material.

The appliance oven venting pipe can be achieved up to a maximum length of 6 metres, through an outside wall or unused flue etc. Great care must be taken in all-timber houses.

Tiling

When the cooker is to stand in a recess, or against a wall which is to be tiled, in no circumstances should the tiles overlap the cooker top plate.

Installation Requirements

The installation of the cooker must be in accordance with the relevant requirements of the IEE Wiring Regulations and Building Regulations.

It should be in accordance also with any relevant requirements of the local authority.

In your own interest, and that of safety to comply with the law, all appliances should be installed by an authorised Aga distributor, in accordance with the relevant regulations.

TECHNICAL DATA - AGA EC3

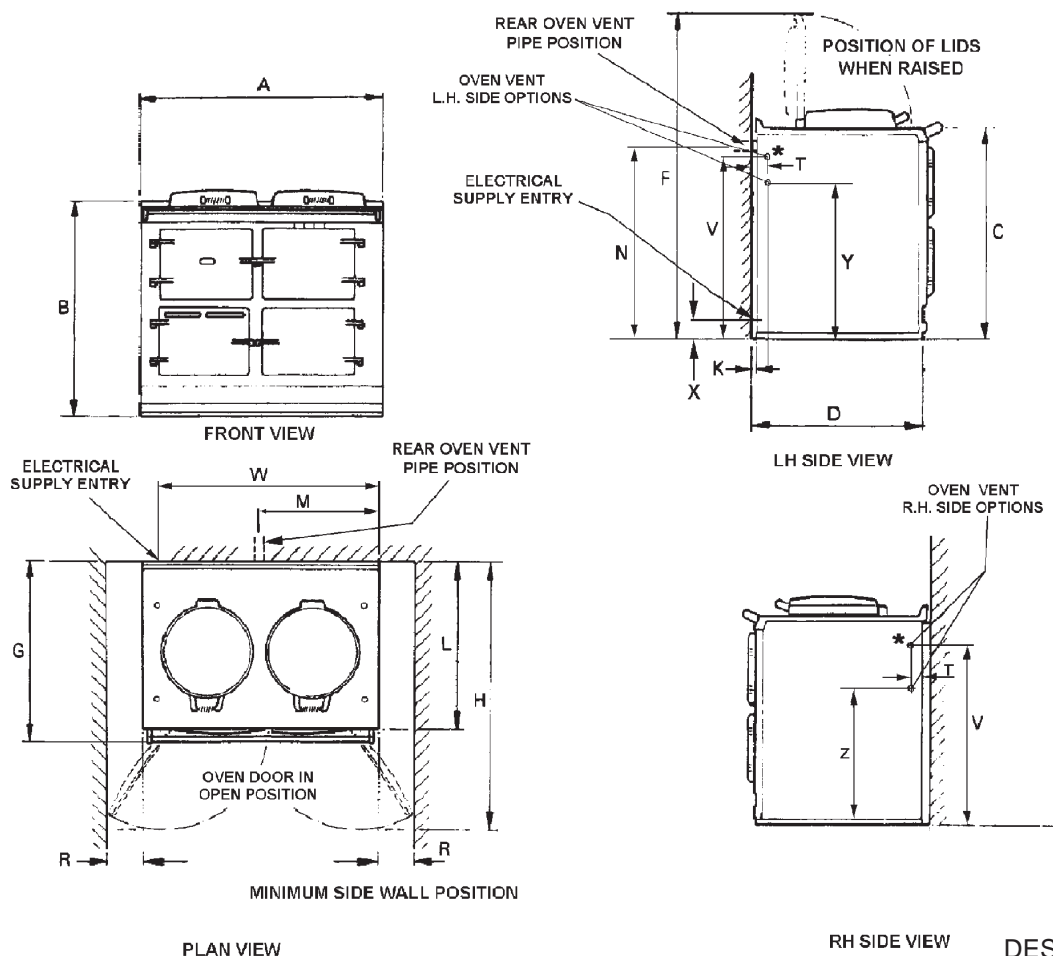


Fig. 1

DESN 514194

	A	B	C	D	F	G	H	K	L	M	N	R	T	V	W	X	Y	Z
mm	987	889	851	679	1330	756	1125	3	698	484	816	116	52	790	873	55	699	662

*** THIS HOLE IF REQUIRED FOR OVEN VENT PIPE IS TO BE CUT ON SITE IN THE LEFT OR RIGHT HAND SIDE PANEL.**

PLEASE NOTE: SIDE CLEARANCE DIMENSION R IS ALSO REQUIRED ON THE LH SIDE FOR THE BAKING OVEN DOOR.

COOKER DIMENSIONS

When surveying for a cooker installation the actual clearance required for the 'body' of the appliance should be increased overall by 10mm beyond the figures quoted below. This allows safe margin to take into account the natural dimensional variations found in major castings. In particular the width across the appliance recess could be critical.

BAKING OVEN BAFFLE PLATE

A metal plate which is provided in the Aga pack **MUST** be positioned on the top runners of the Baking Oven. Slide the plate in fully, until it makes contact with the back of the oven.

This baffle is a permanent part of the Baking Oven, to regulate the oven temperature.

ELECTRICAL

WARNING: THIS APPLIANCE MUST BE EARTHED.

THIS APPLIANCE IS DESIGNED FOR THE VOLTAGE STATED ON THE RATING PLATE, WHICH IS SITUATED BEHIND THE UPPER LEFT HAND DOOR.

A 13 amp 230v ~ 50 Hz fused electrical supply is required adjacent to the appliance. External wiring to the unit must be installed using a 3 core silicon - SIHF insulation cable, and in accordance with the current wiring regulations and any local regulations which apply.

The method of connection to the mains electricity supply must facilitate complete electrical isolation of the appliance, preferably by a fused double pole switch, having a contact separation of at least 3mm in both poles.

A 13A safety plug can be used, however, we do strongly recommend connection via a fused double pole switch for integrity of the connection. If a 13A safety plug is used it must be of a high quality and must be to BS1363 - 3: 1995 (13A Plugs, socket, outlets and adaptors).

NOTE: Switched spur outlet should only serve the appliance.

The isolator should not be positioned immediately above the cooker, but must be fitted within 1.5 metres of the cable exit point of the appliance.

ELECTRICAL TEST PROCEDURE

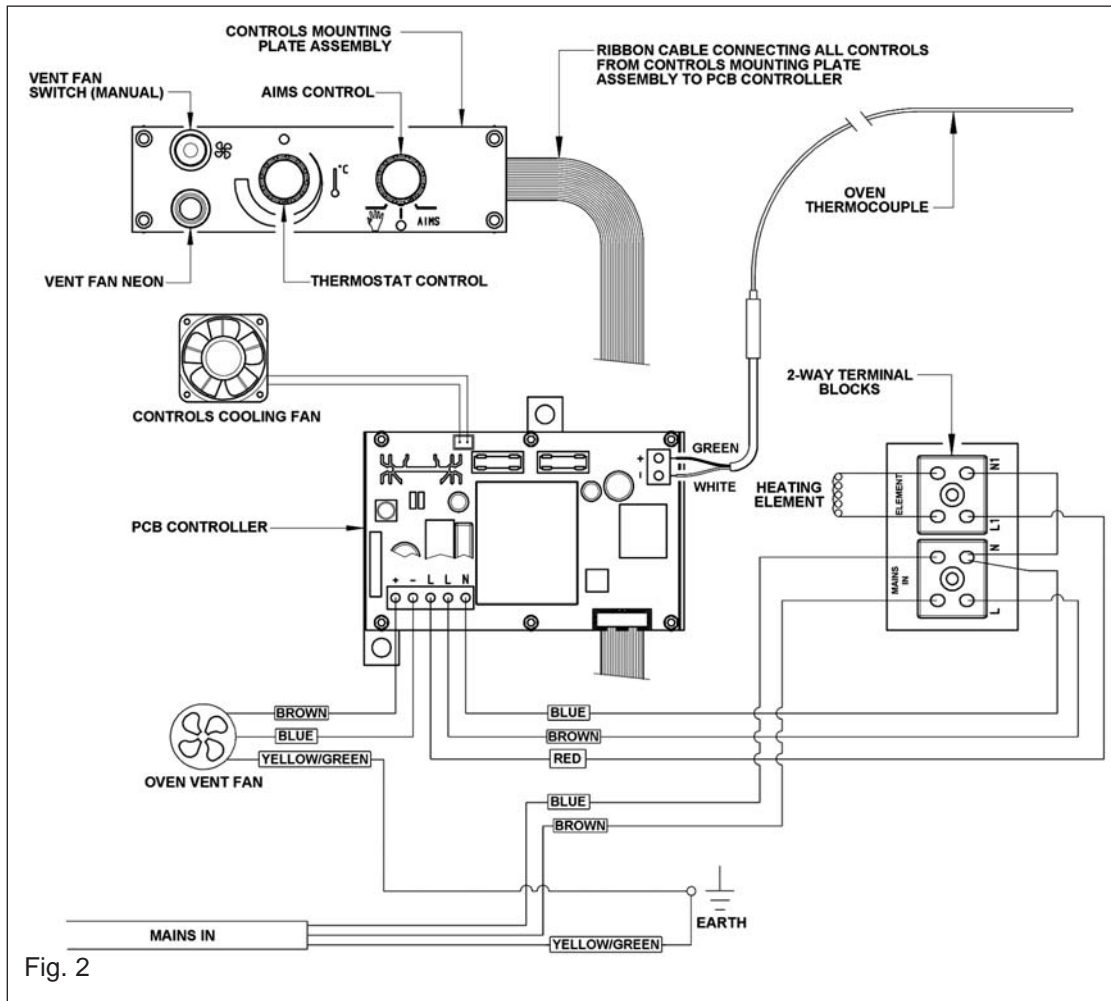
Final Electrical Test using (CLARE) and Flash Test

Flash Test Procedure (Earth Appliance Test Simulation)

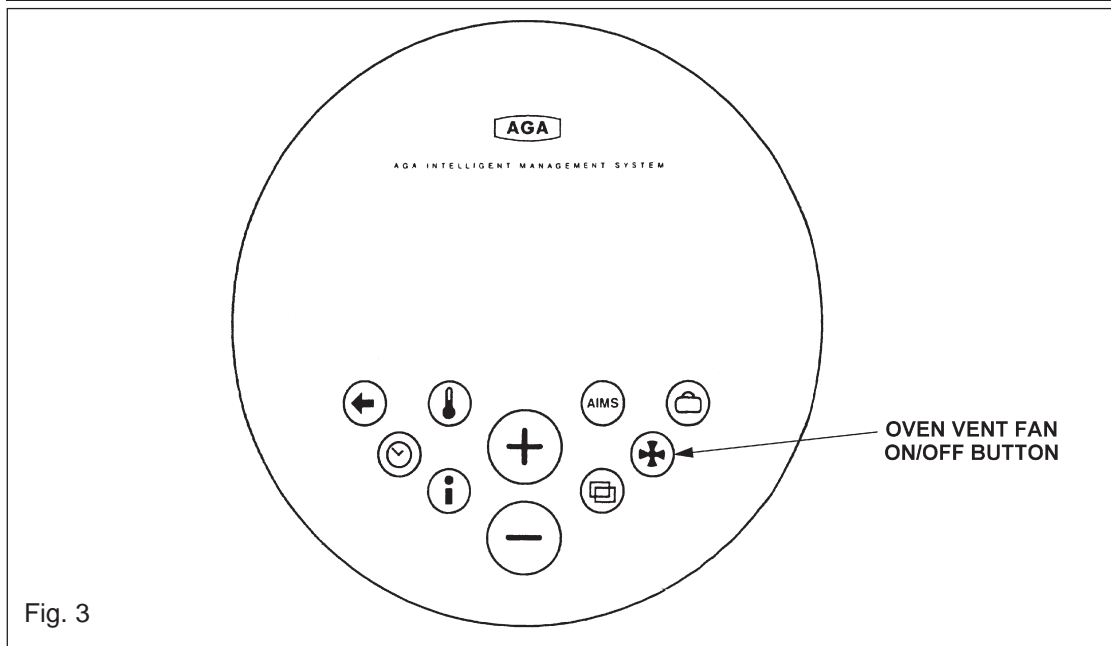
1. Select 1250v Flash Test on Clare Test equipment.
2. Plug the 13 amp supply plug into the test equipment.
3. Depress the red 'Test Button' for 3 seconds.
4. A 'Pass' light will illuminate.
5. If the appliance fails the test, re-check all circuits and correct the fault and re-test the appliance.
6. Disconnect from the test equipment and connect cooker to its permanent supply.
7. A full load test will be performed using a clamp meter connected to the incoming supply.

NOTE: The test results 10.5/11 amps normal operation.

8. Make notes of results and disconnect all leads.



TO TEST THE AIMS CONTROL HANDSET



Press the fan button on the handset, the vent fan symbol should show on the handset screen.

The oven vent fan should operate and the fan oven neon on the control panel should illuminate.

Press the fan button again and the fan should go off.

MAINS CABLE AND GUIDE TUBE ASSEMBLY

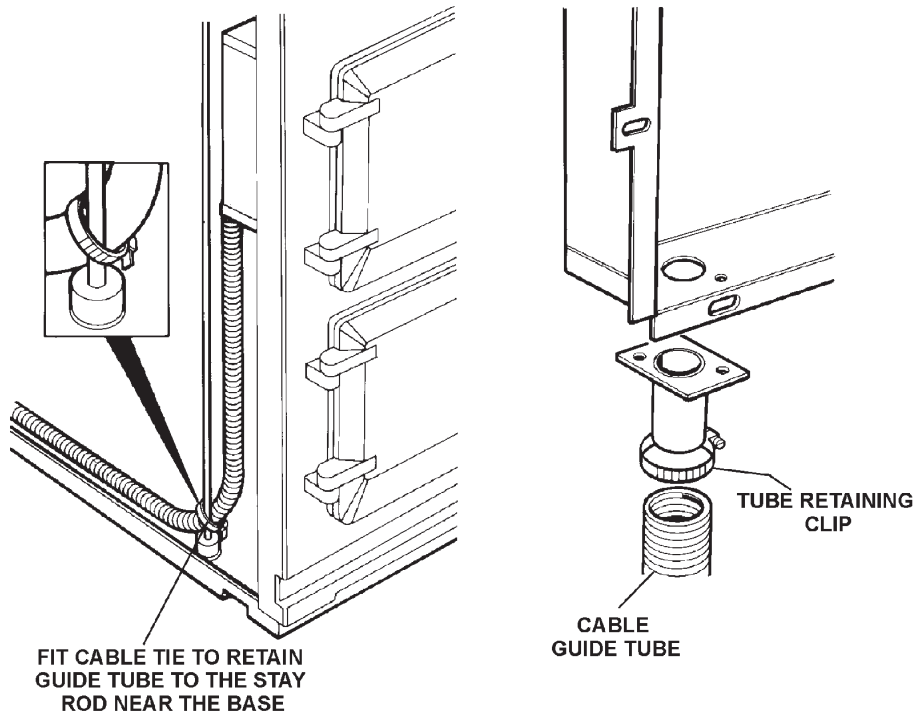


Fig. 4

DESN 514243 A/ DESN 514626

ELEMENTS AND ELECTRICAL HOUSING PARTS ASSEMBLY

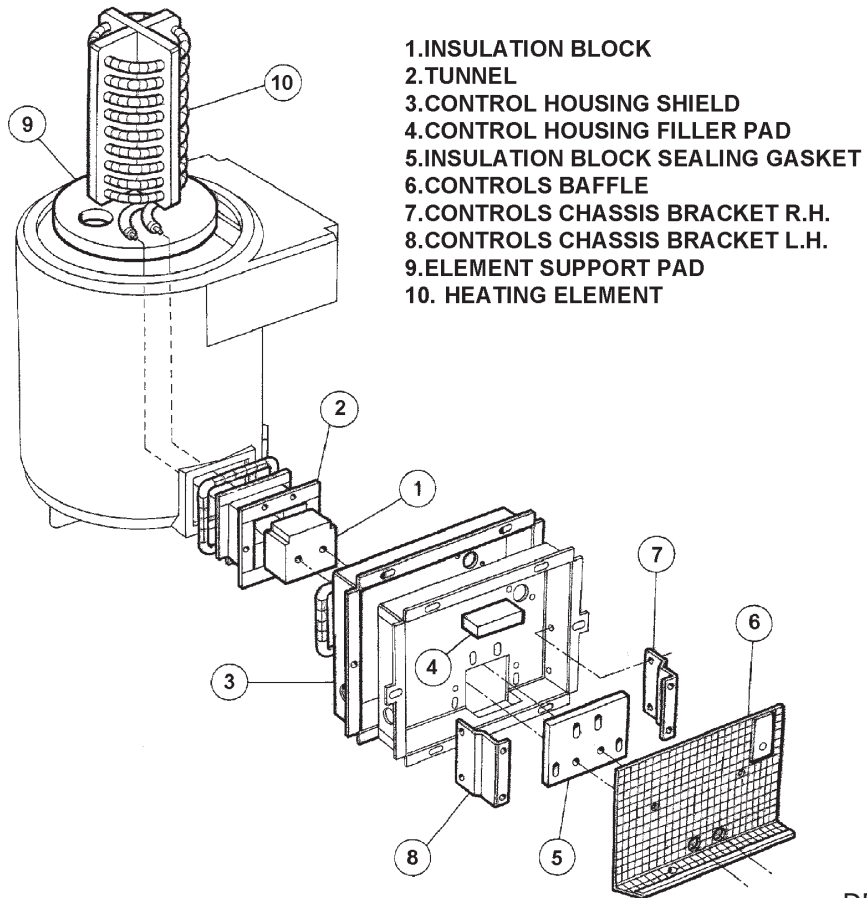


Fig. 5

DESN 514245

OVEN VENT PIPE CONNECTION OPTIONS

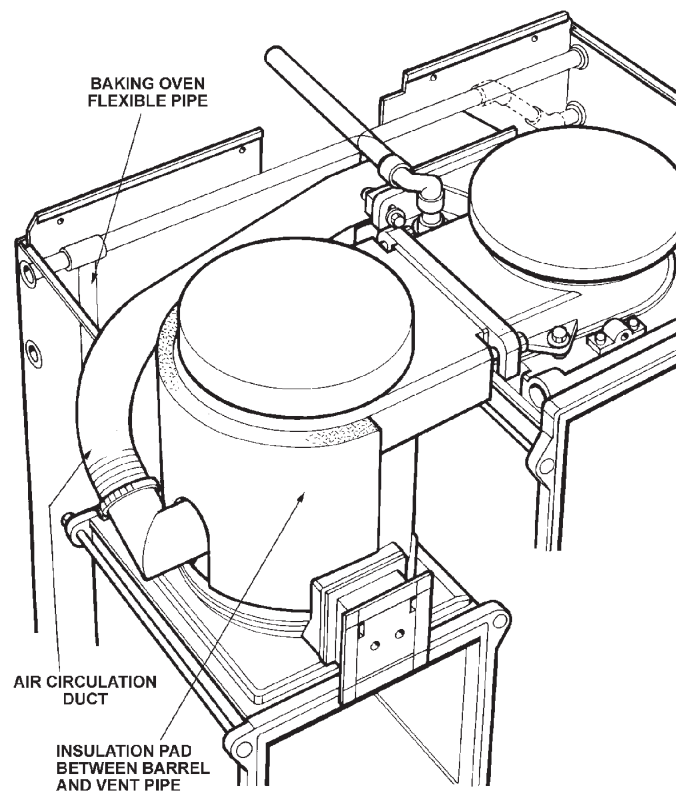
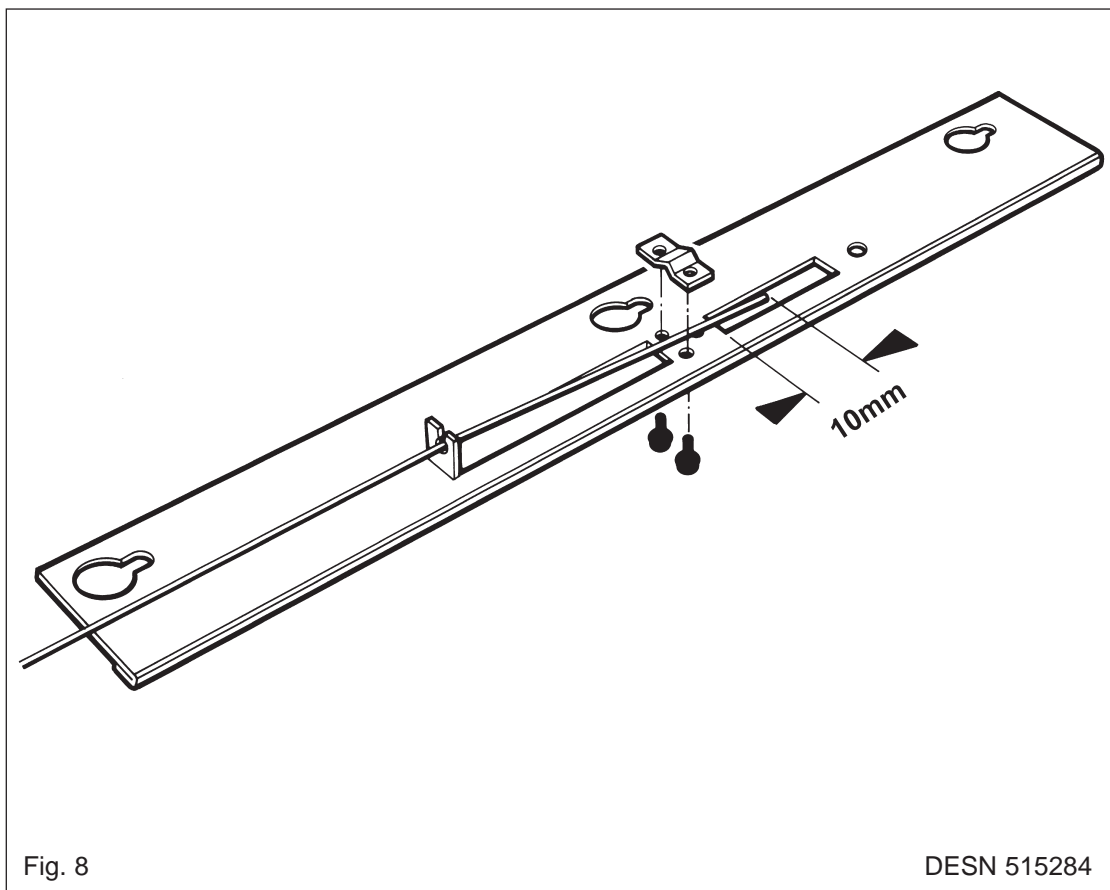
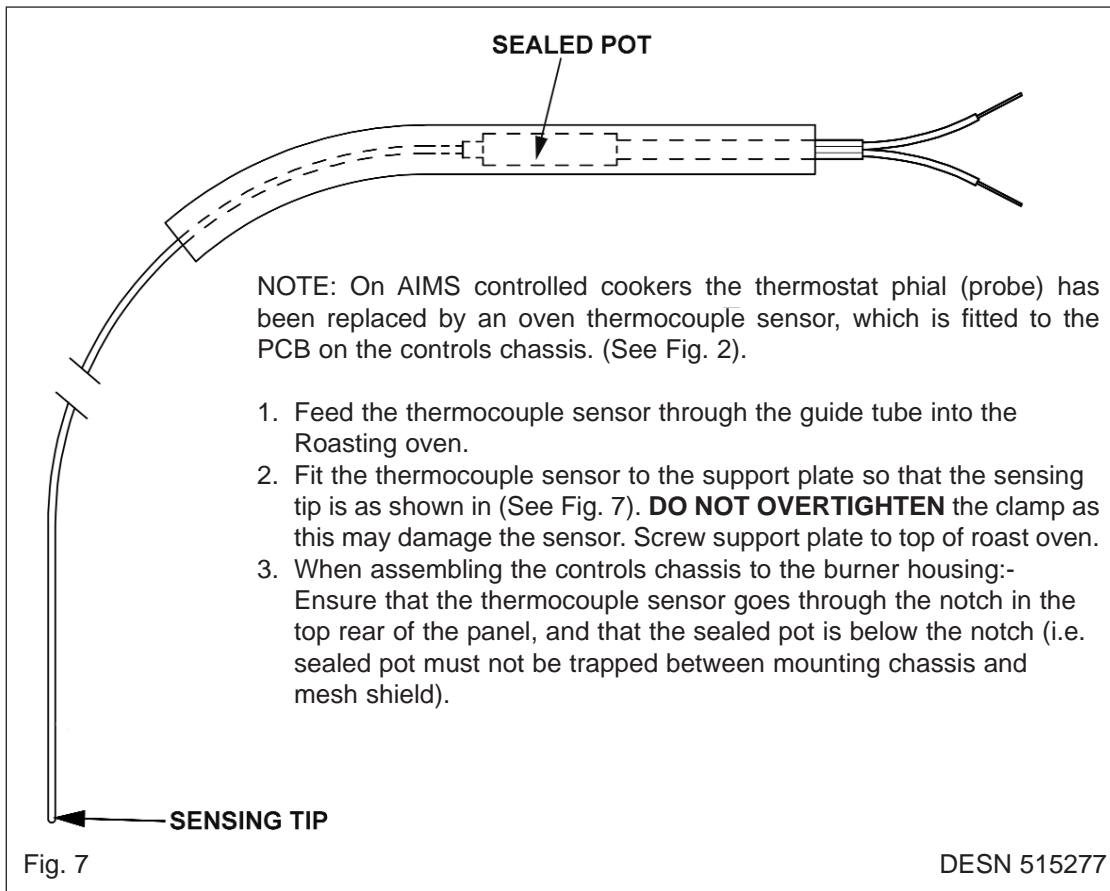


Fig. 6

DESN 514205 A

OVEN THERMOCOUPLE



OVEN VENTING SYSTEMS

See Figs. 9, 10, 11 & 12

Pre-site visiting will have determined where and how the layout of the oven vent pipework should be designed and installed. It is then necessary to check that the pipework design and the pipework resistance are within the parameters possible.

The appliance oven venting pipe can be achieved, up to a maximum length of 6 metres, through an outside wall or unused flue etc. Great care must be taken in all-timber houses.

If the oven vent pipe passes through combustible material, there must be an airgap of at least 25mm around the pipe and preferably wrapped with insulation material.

Setting the Vent Fan (Motor Speed)

Setting of the motor speed is carried out by adjusting the Voltage Regulator (VRI) on the controller PCB in conjunction with a voltmeter. (See Fig. 10).

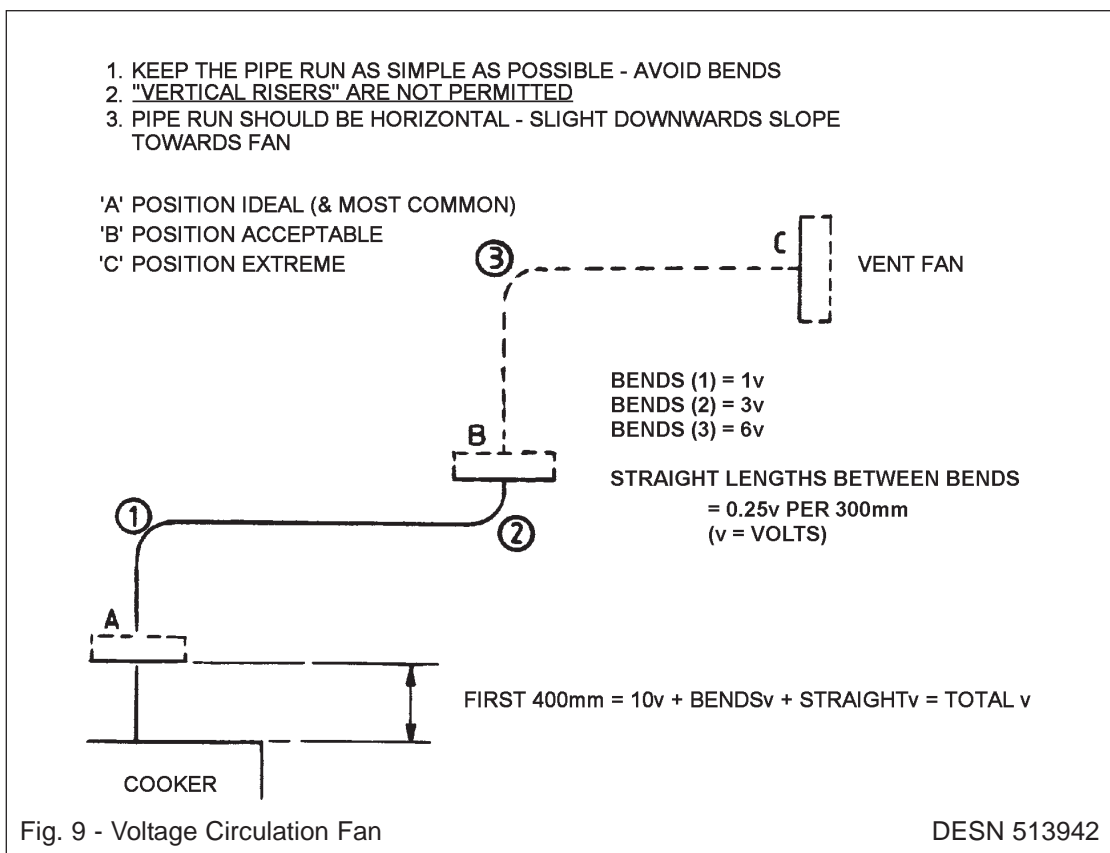
The max supply to the motor, as calculated in Fig. 9, should be limited to 20v (DC), for ideal operating condition.

Calculating the voltage for the particular pipework layout is as follows: (See Fig. 9).

Alternative Oven Venting Systems

Venting may be achieved directly into the flue providing a stabiliser is fitted. See Fig. 11.

NOTE: IN THE OVEN VENTING INSTALLATION, WHETHER FAN ASSISTED OR NATURAL FLUE, PROVISION MUST BE MADE FOR EASY 'RIFLING' OF THE PIPE WORK TO FACILITATE CLEANING.



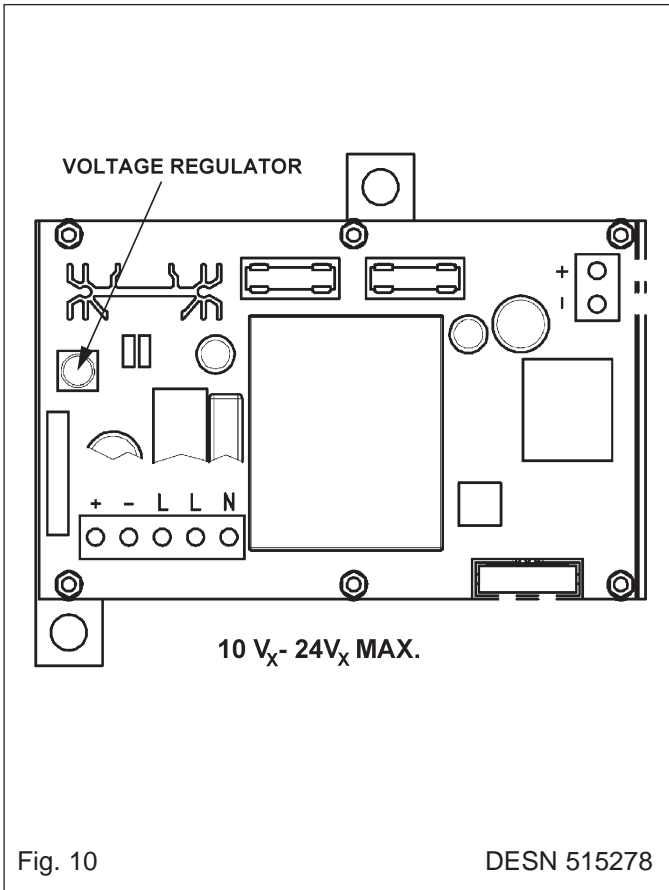


Fig. 10

DESN 515278

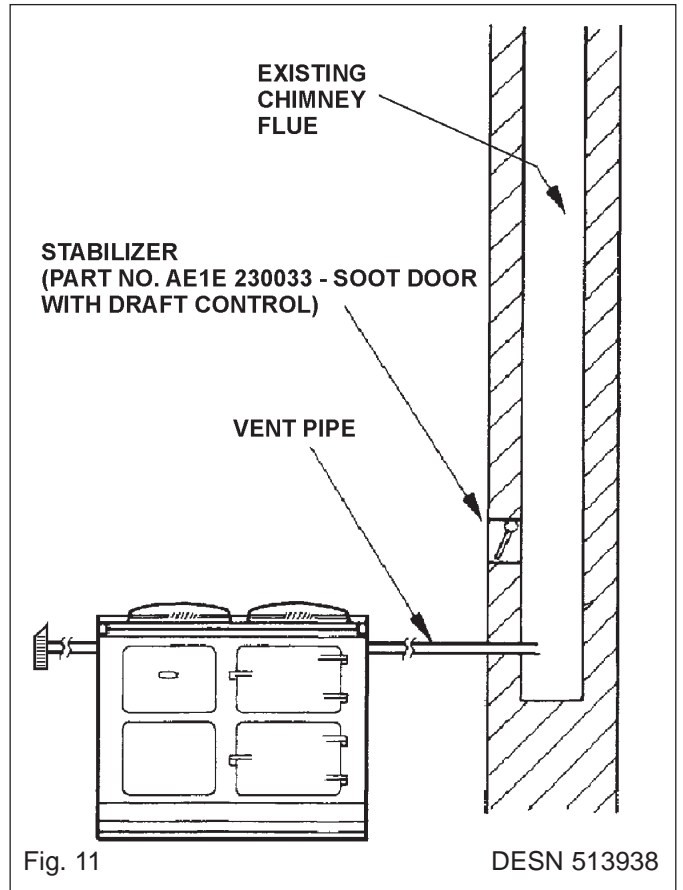


Fig. 11

DESN 513938

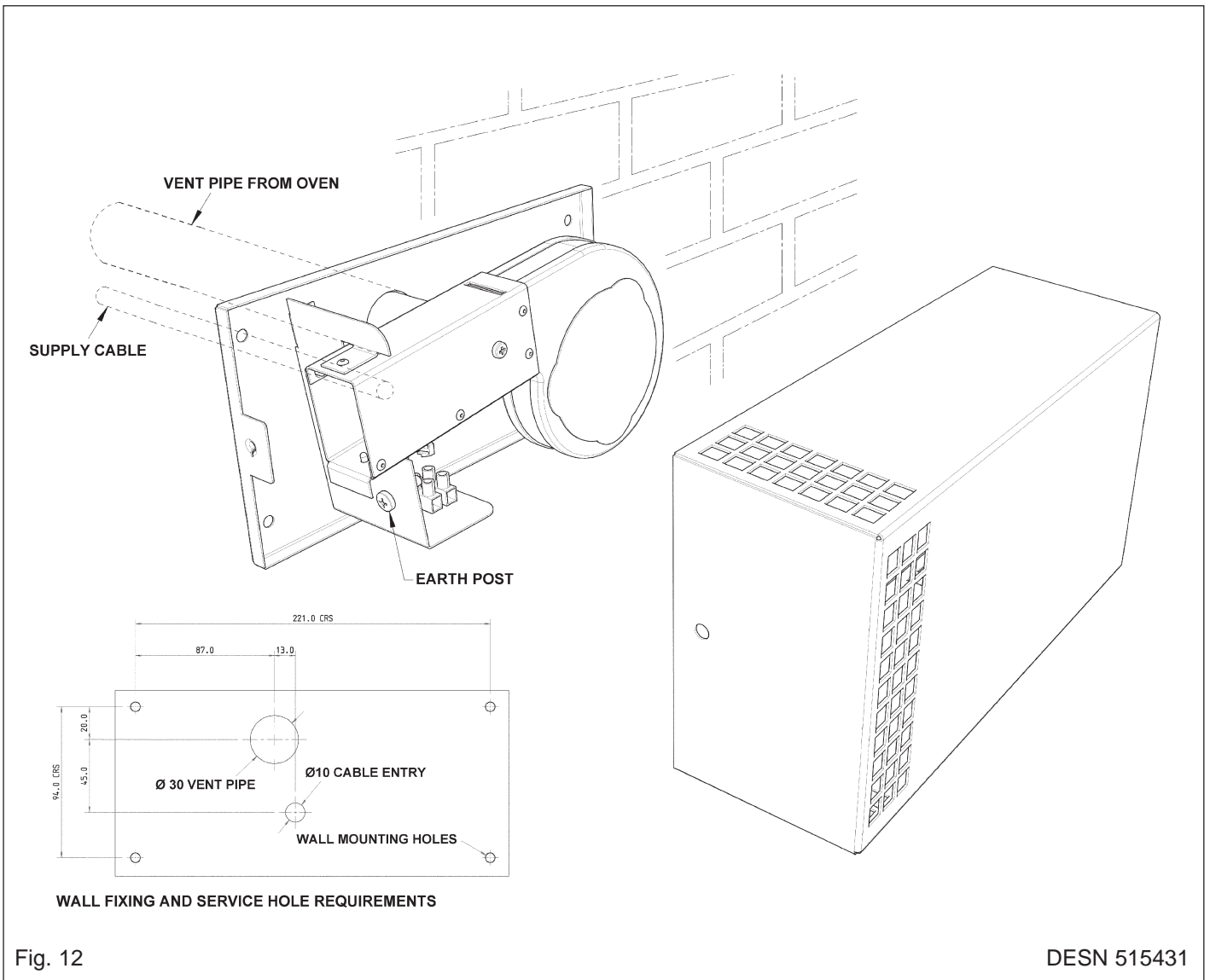


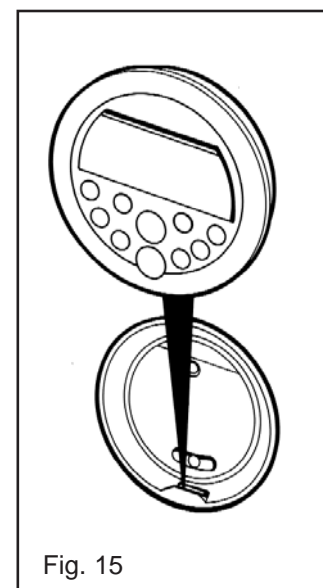
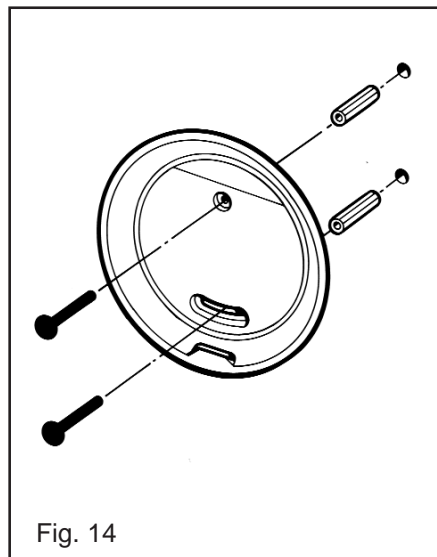
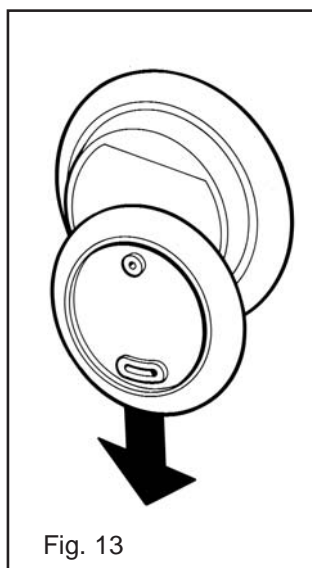
Fig. 12

DESN 515431

AIMS HANDSET

Handset can be wall mounted as described below.

- Remove backplate from the rear of the Handset by sliding down with hand and away from the Handset (fig 13).
- Select the site for the handset and use the backplate to mark the position of fixing holes.
- Drill 6mm dia. holes with masonry drill for the rawplugs.
- Use rawplugs and screws supplied to fix the backplate to the wall (fig. 14).
- Stick the round self adhesive label supplied to the inside of the backplate to cover the fixing screw heads.
- Fit the Handset on to the backplate by locating the tag on to the slot in backplate as shown (fig. 15).



INSTRUCTIONS

Hand these instructions to the User for retention, and instruct in the safe operation of the appliance.

Finally advise the User, that for continued efficient and safe operation of the appliance, it is important that adequate servicing is carried out at regular intervals recommended by the Aga Specialist.

**For further advice or information contact
your local Aga Specialist**

With Aga's policy of continuous product improvement, the Company reserves the right to change specifications and make modifications to the appliance described and illustrated at any time



Manufactured by
Aga
Station Road
Ketley Telford
Shropshire TF1 5AQ
England

www.aga-web.co.uk
www.agacookshop.co.uk
www.agalinks.com