



**AGA DUAL CONTROL
DC3G & DC5G
(CONVENTIONAL FLUE)**

**Burner Assembly
Upgrade Instructions**

REMEMBER, when replacing a part on this appliance, use only spare parts that you can be assured conform to the safety and performance specification that we require.
DO NOT use reconditioned or copy parts that have not been clearly authorised by AGA.

**PLEASE READ THESE INSTRUCTIONS BEFORE USING THIS APPLIANCE
AND KEEP IN A SAFE PLACE FOR FUTURE REFERENCE.**



For use in GB & IE

09/16 LPRT 517435

1. Overview

Fig. 1.1

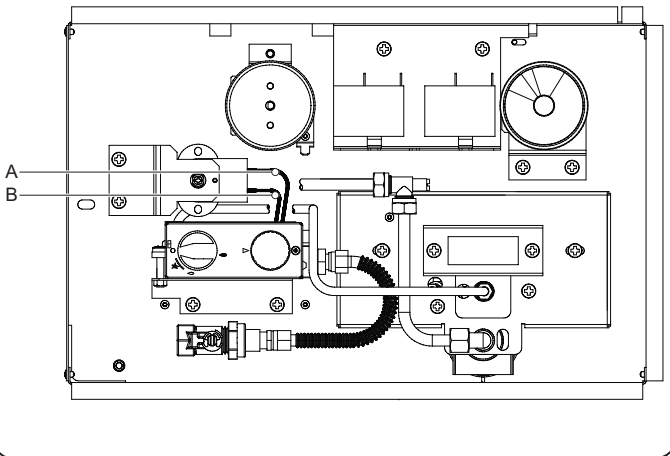
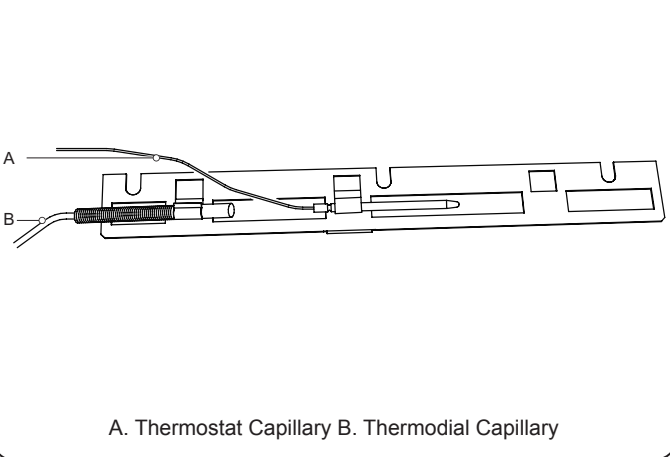


Fig. 1.2



1. Isolate mains gas & electricity supplies.
2. Remove fascia panel (4 mirror caps, 4 screws)
3. Turn gas cock to 'OFF' position.
4. Disconnect union joint to gas cock.
5. Disconnect Thermocouple connections (A & B) from flue safety thermostat (LM7) **Fig. 1.1**.
6. From inside top of roast oven remove phial mounting plate & unclip phials from circlips.
7. Remove thermodial mounting bracket (2 screws) c/w thermodial attached, taking care not to damage capillary.
8. Withdraw thermodial & control valve capillaries through guide tube into burner housing. Place thermodial & bracket aside.
9. Remove 4 screws securing burner assembly to housing, and withdraw burner assembly from burner chamber.
10. Fit new burner assembly. Re-connect thermocouple connections to flue safety thermostat (LM7). Ensure control valve capillary is routed to RH side of burner housing as shown in care notice.
11. Re-fit thermodial & control valve capillaries through guide tube into roast oven. Re-fit to phial mounting plate **Fig. 1.2**.
12. Re-fit thermodial mounting bracket to housing (2 screws).
13. Turn gas cock to 'ON' position.
14. Restore gas & electric supply to appliance.
15. Check for gas tightness. Refer to installation instructions EINS517055 for inlet & burner pressure testing.
16. Re-commission cooker. Refer to installation instructions EINS517055.

2. Care Notice

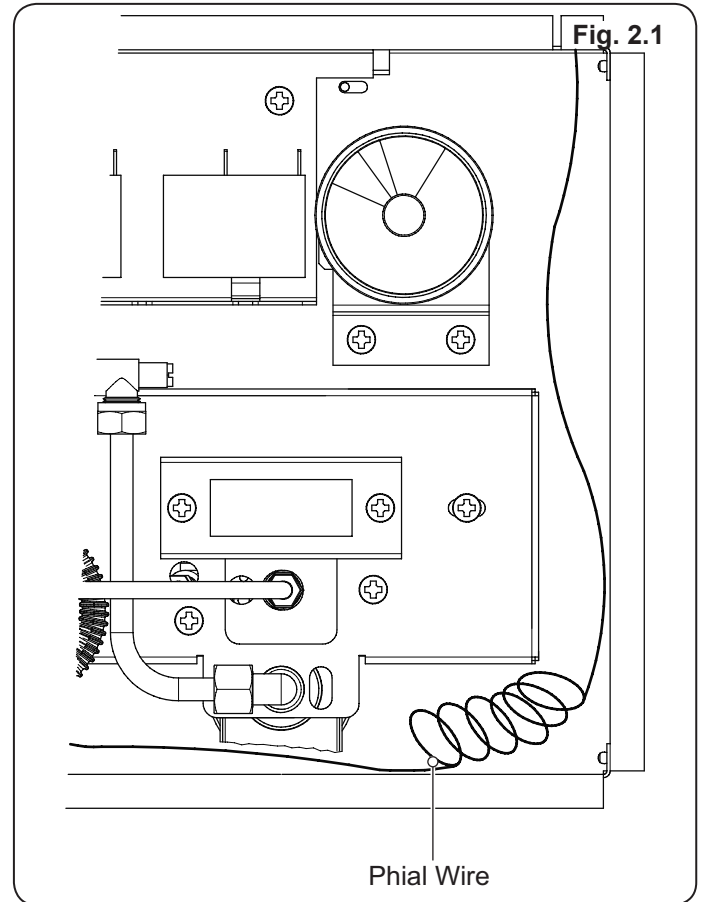
Gas valve oven thermostat phial wire

Fig. 2.1

Following assembly of gas valve thermostat phial into oven cavity, excess wire may cause an 'Electrical Shorting' problem across simmering plate thermostat terminals if routed loosely behind thermostat inside the controls assembly.

To avoid this, phial wire should be routed towards the right-hand side of the controls housing. Excess wire can then be 'coiled' and positioned toward the bottom right-hand corner of controls housing.

Similarly, the braided wire from the thermostat should also be routed toward the right-hand side of controls housing to prevent similar problems occurring.



**For further advice or information contact
your local AGA Specialist.**

With AGA Rangemaster's policy of continuous product improvement, the Company reserves the right to change specifications and make modifications to the appliances described and illustrated at any time.



Manufactured By
AGA Rangemaster
Station Road
Ketley Telford
Shropshire TF1 5AQ
England

www.agaliving.com
www.agacookshop.co.uk